

THERMA-TRU[®] DOORS

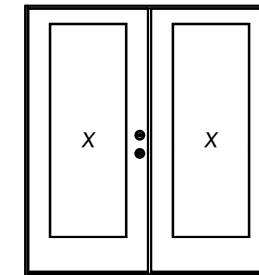
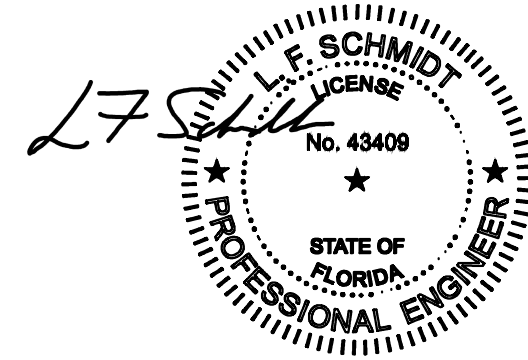
Fiber-Classic[®] & Smooth-Star[®]

OPAQUE FIBERGLASS DOUBLE DOOR w/ or w/out SIDELITES in a COMPOSITE FRAME IN SWING/OUT SWING "IMPACT"

GENERAL NOTES

1. This product has been evaluated and is in compliance with the 8th Edition (2023) Florida Building Code (FBC) structural requirements excluding the "High Velocity Hurricane Zone" (HVHZ).
2. Product anchors shall be as listed and spaced as shown on details. Anchor embedment to base material shall be beyond wall dressing or stucco.
3. When used in areas requiring wind borne debris protection this product complies with FBC Sections 1609.1.2 & R301.2.1.2 and does not require an impact resistant covering. This product meets missile level "D" and excludes Wind Zone 4 as defined in ASTM E1996 and FBC Sections 1609.1.2.2 & R301.2.1.2.1.
4. For 2x stud framing construction, anchoring of these units shall be the same as that shown for 2x buck masonry construction.
5. Site conditions that deviate from the details of this drawing require further engineering analysis by a licensed engineer or registered architect.
6. Fiber-Classic & Smooth-Star Door panel require the use of "J" part numbers and must be stained or painted within six months of installation.

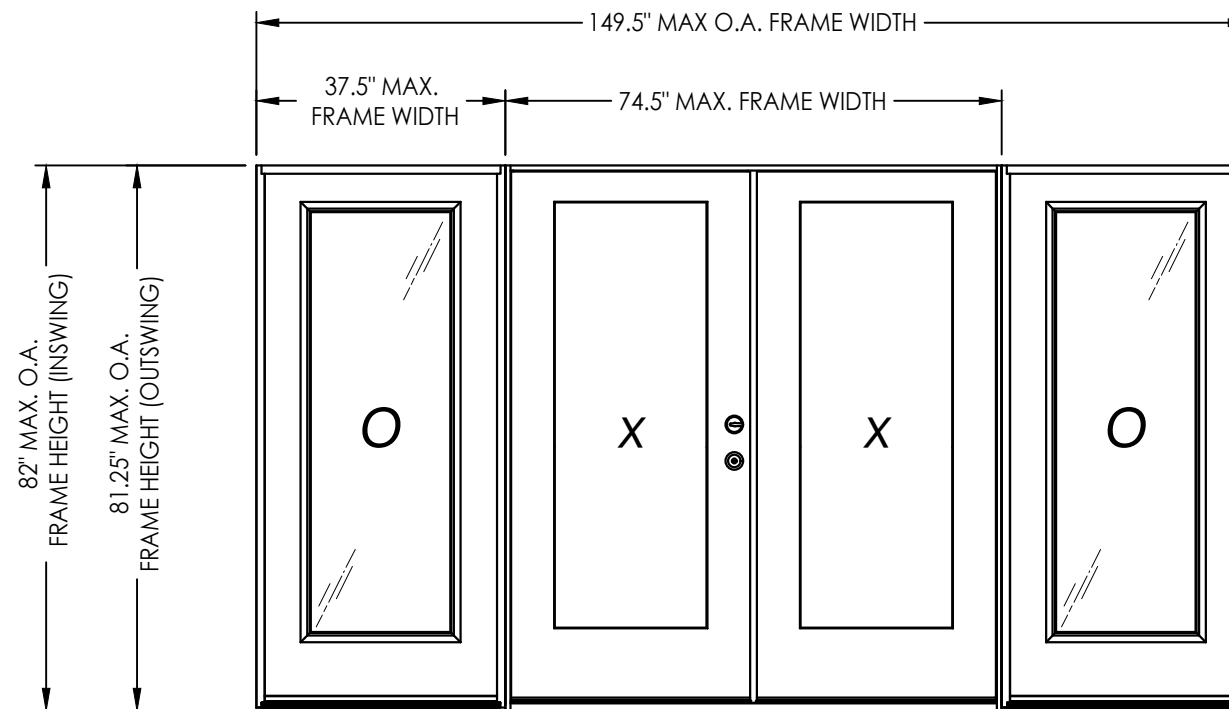
TABLE OF CONTENTS	
SHEET #	DESCRIPTION
1	Typical Elevations, Design Pressures & General Notes
2	Door Panel Details
3	Sidelite Panel Details
4	Elevations
5	Horizontal & Vertical Cross Sections (2X Buck)
6	Horizontal & Vertical Cross Sections (1X Buck)
7	Vertical Cross Sections (Thresholds)
8	Buck Anchoring
9	Frame Anchoring
10	Hardware Details
11	Lite Frame & Glazing Details
12	Bill of Materials & Components



XX

This item has been digitally signed and sealed by L. F. Schmidt, P.E. on the date adjacent to the seal. Printed copies of this document are not considered signed and sealed and the signature must be verified on any electronic copies.

THIS PRODUCT APPROVAL IS VALID ONLY FOR THE STATE OF FLORIDA



CONFIGURATION	DESIGN PRESSURE (PSF) IN SWING		DESIGN PRESSURE (PSF) OUT SWING	
	POSITIVE	NEGATIVE	POSITIVE	NEGATIVE
XX, OXXO	+50.0	-55.0	+50.0	-50.0

Documents Prepared By:
Lyndon F. Schmidt
P.E. No. 43409

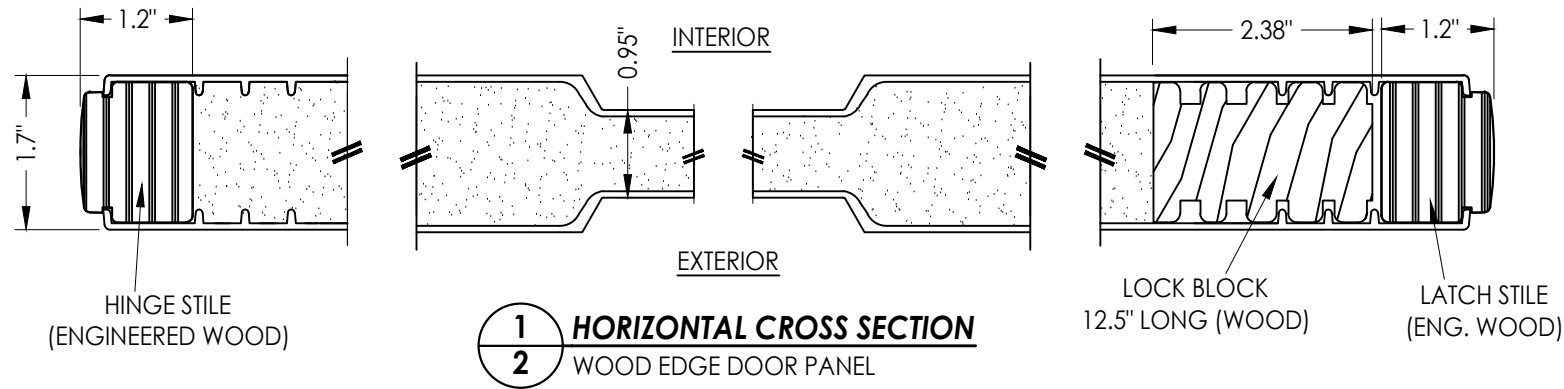
RW BUILDING CONSULTANTS, INC.
P.O. Box 230, Valrico, FL 33595
Phone No.: 813.659.9197
FBPE Registry No. 9813

PRODUCT:
THERMA-TRU
FIBERGLASS DOOR

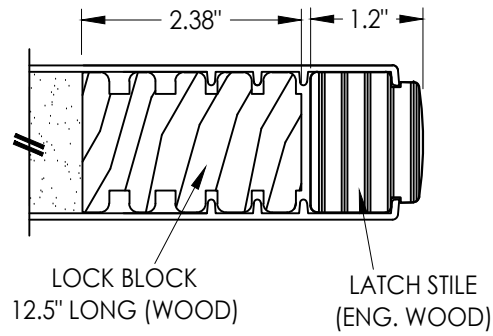
PART OR ASSEMBLY:
TYPICAL ELEVATION, DESIGN
PRESSURES & GENERAL NOTES

NO.	DATE	BY	REVISIONS
1	7/27/23	LFS	UPDATE TO 8TH ED. (2023) FBC

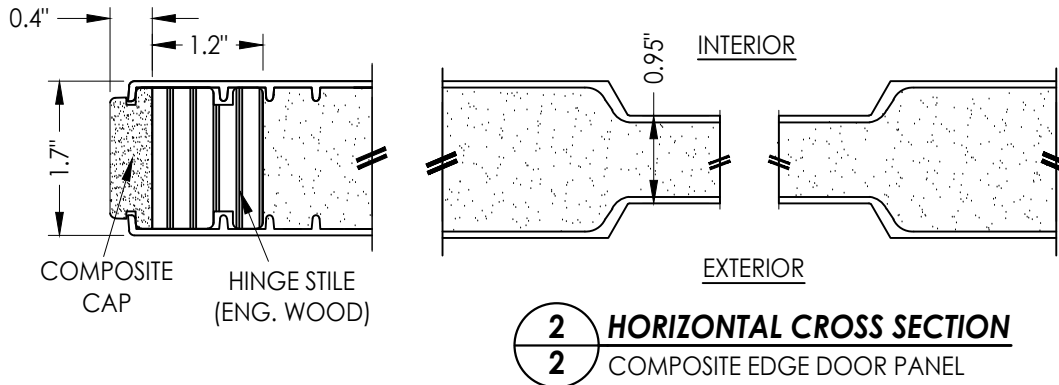
DATE: 5/18/21
SCALE: N.T.S.
DWG. BY: RW
CHK. BY: LFS
DRAWING NO.:
FL-37182.3
SHEET 1 OF 12



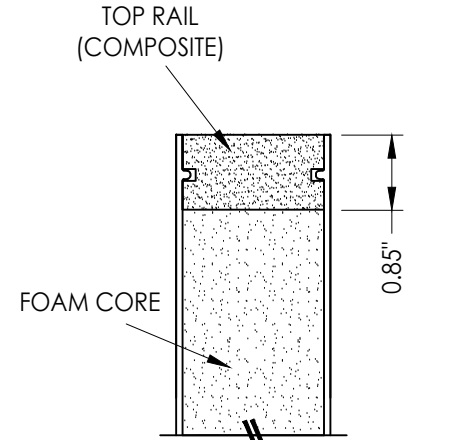
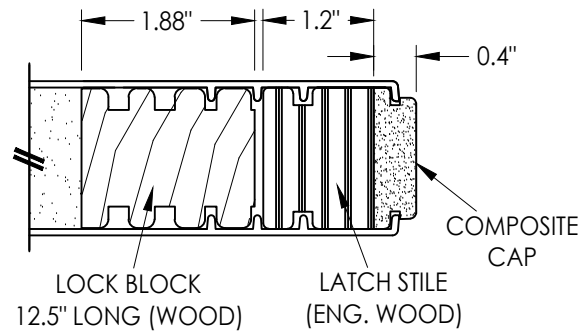
1 HORIZONTAL CROSS SECTION
2 WOOD EDGE DOOR PANEL



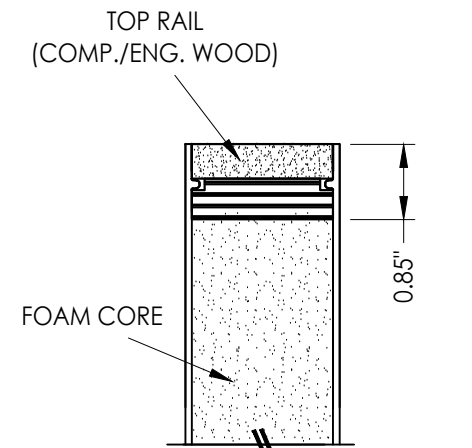
NOTE: BOOK, HYBRID & U1 DOORS
MAY EACH BE FABRICATED AS WOOD
OR COMPOSITE EDGE DOORS.



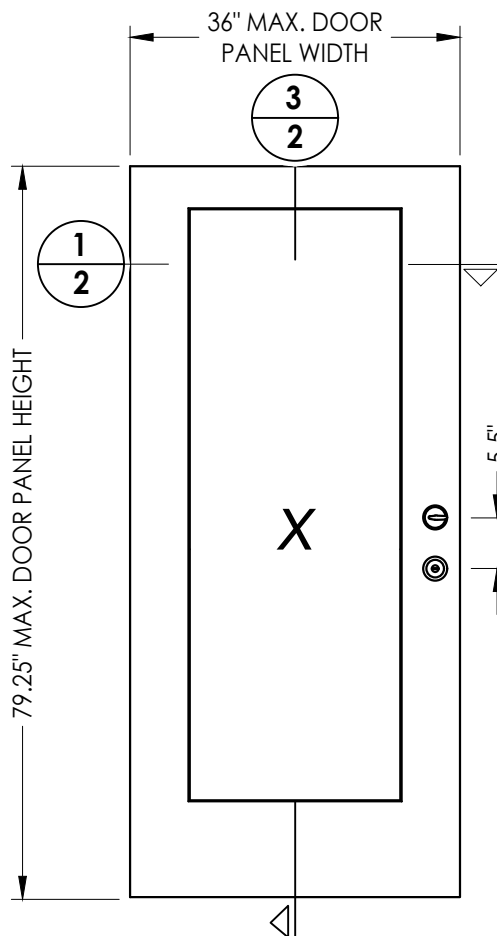
2 HORIZONTAL CROSS SECTION
2 COMPOSITE EDGE DOOR PANEL



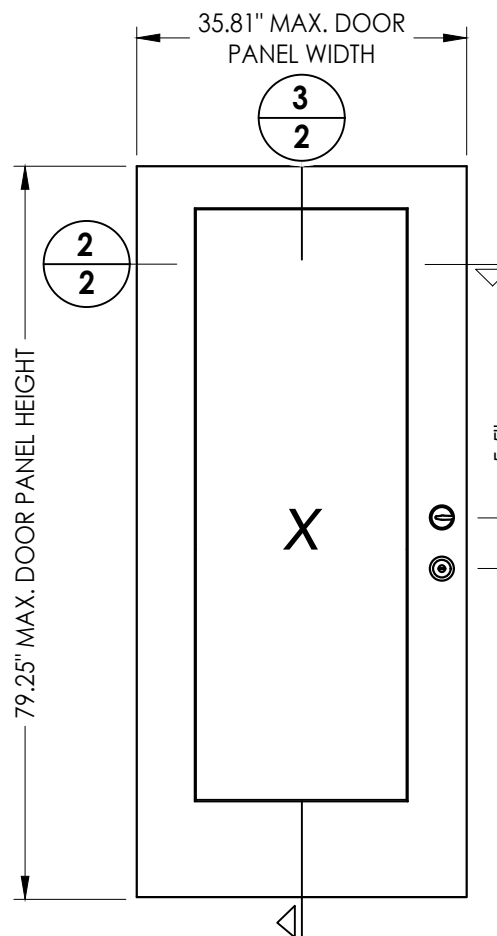
3 VERTICAL CROSS SECTION
2 WOOD EDGE DOOR PANEL



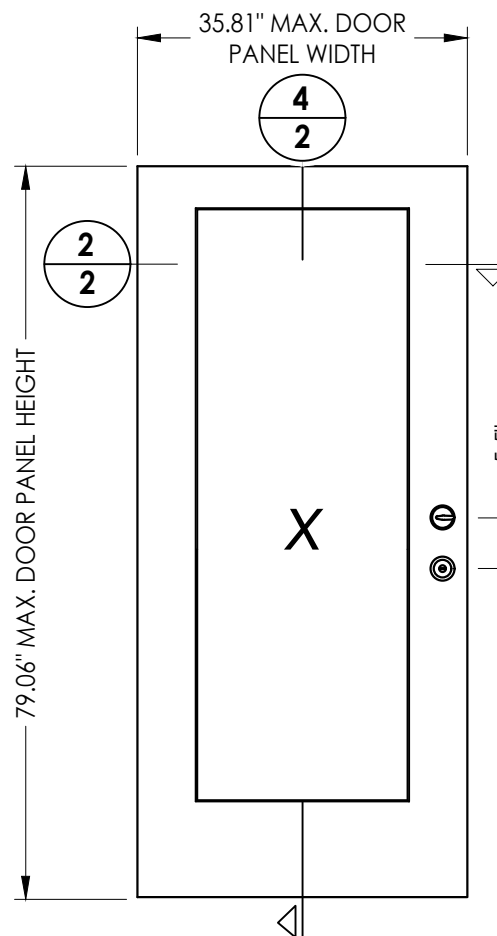
4 VERTICAL CROSS SECTION
2 COMPOSITE EDGE DOOR PANEL



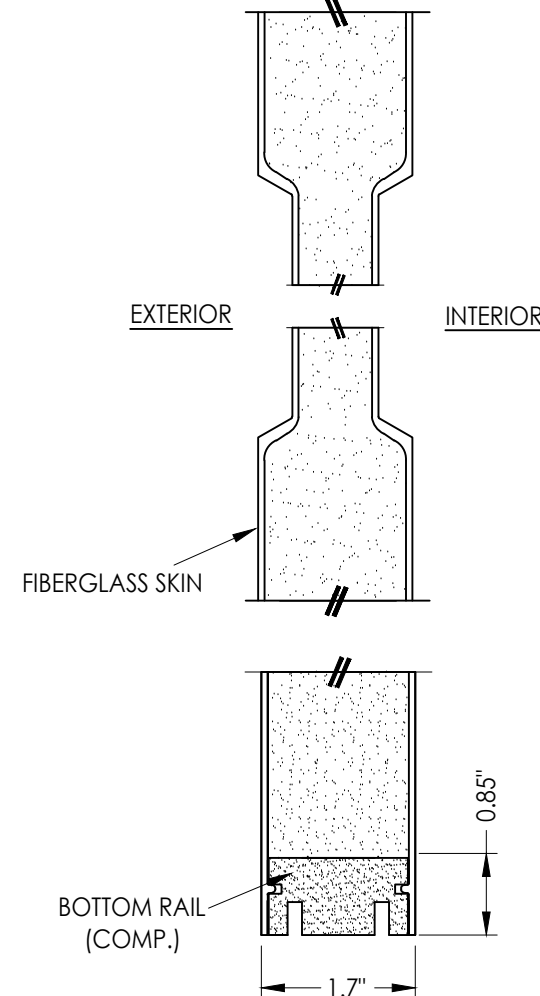
40 FIBERGLASS DOOR PANEL
BOOK DOOR



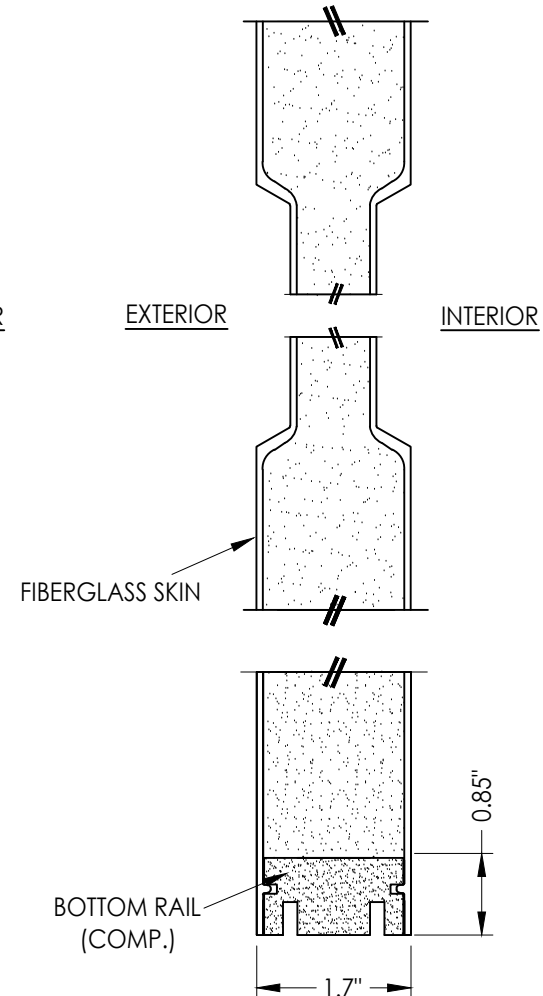
41 FIBERGLASS DOOR PANEL
HYBRID DOOR



42 FIBERGLASS DOOR PANEL
U1 DOOR



3 VERTICAL CROSS SECTION
2 WOOD EDGE DOOR PANEL



4 VERTICAL CROSS SECTION
2 COMPOSITE EDGE DOOR PANEL

FIBERGLASS SKIN: 0.073" MIN. THK.
FOAM CORE: POLYURETHANE -1.9 PCF MIN.

Documents Prepared By:
Lyndon F. Schmidt
P.E. No. 43409

RW BUILDING CONSULTANTS, INC.
P.O. Box 230, Valrico, FL 33595
Phone No.: 813.659.9197
FBPE Registry No. 9813

PRODUCT: THERMA-TRU
FIBERGLASS DOOR

PART OR ASSEMBLY:
DOOR PANEL DETAILS

NO.	DATE	BY
1	7/27/23	LFS
UPDATE TO 8TH ED. (2023) FBC		

DATE: 5/18/21

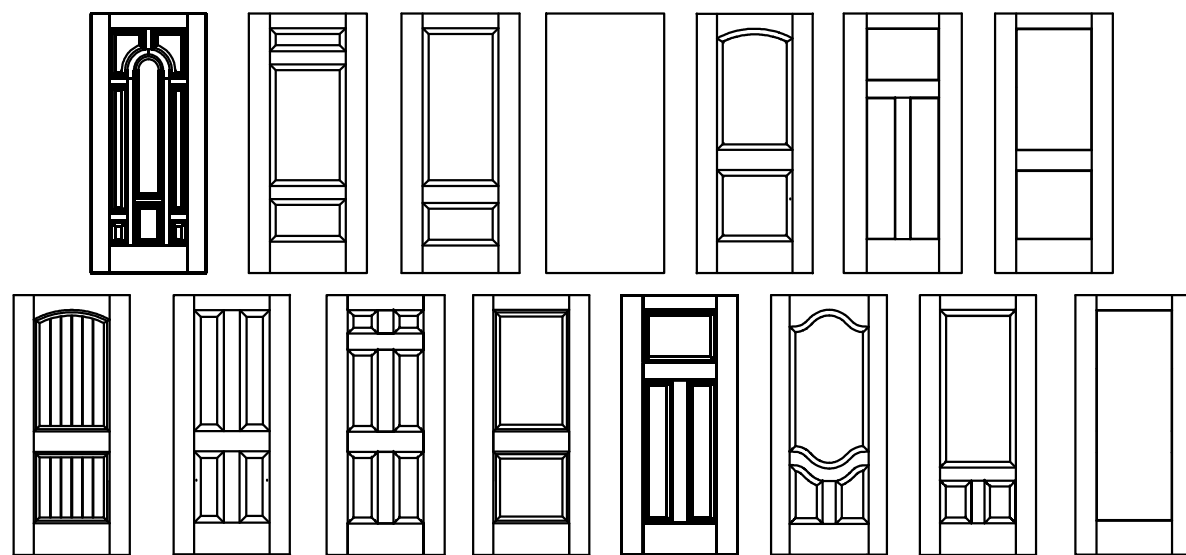
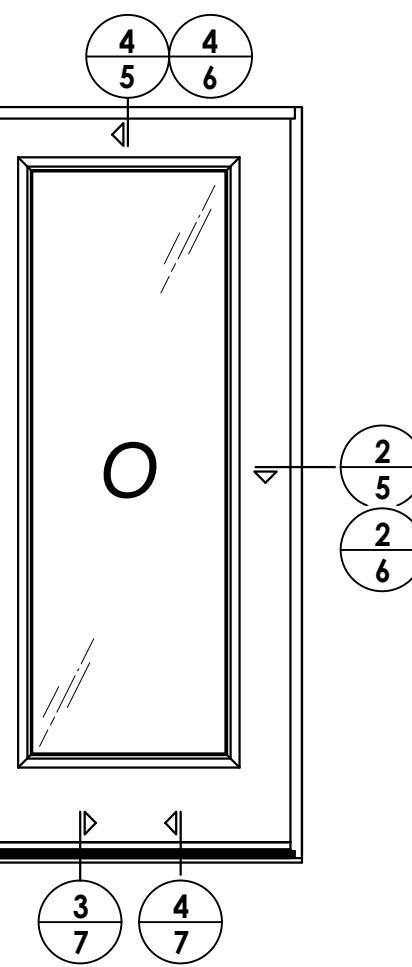
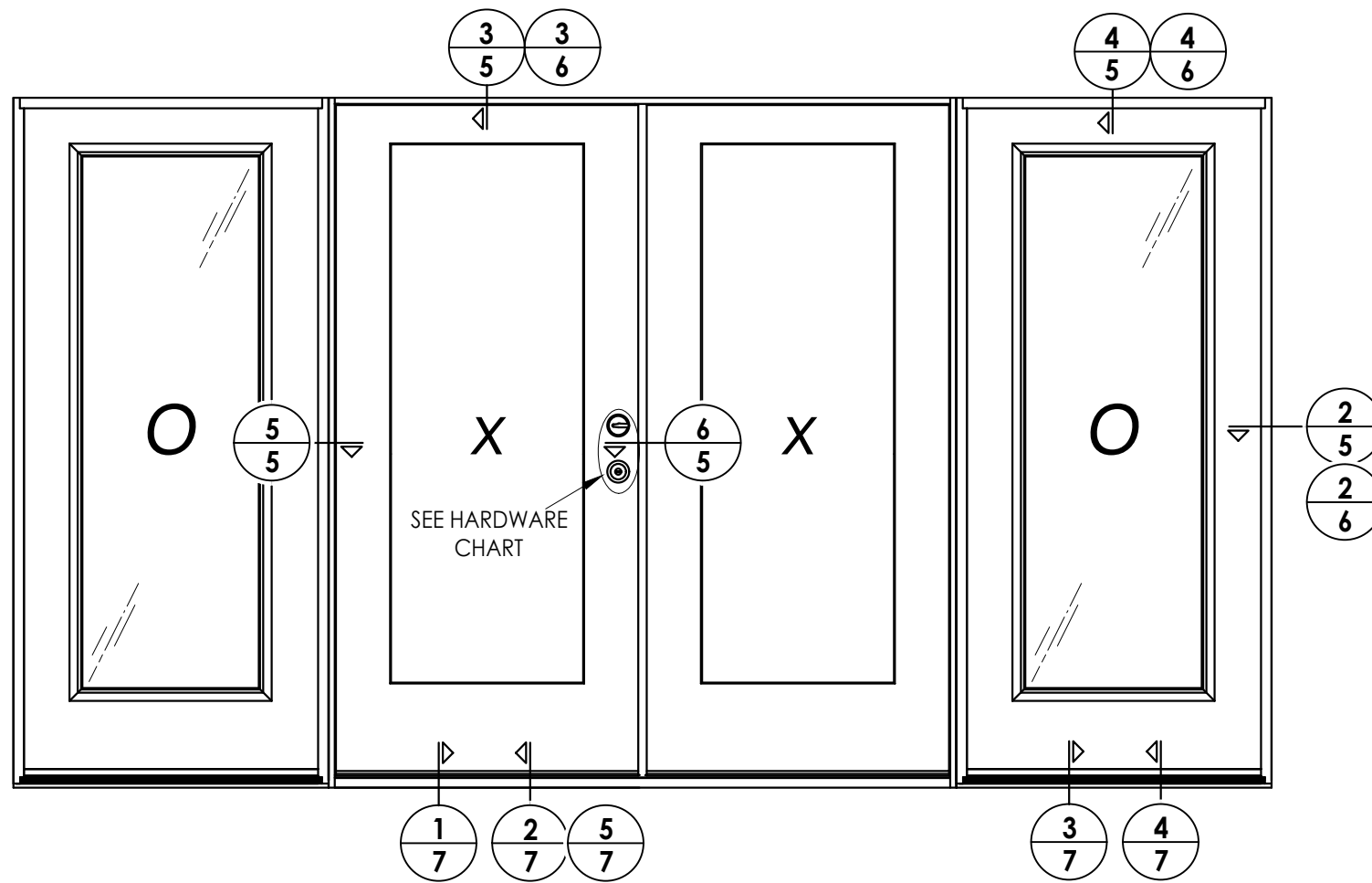
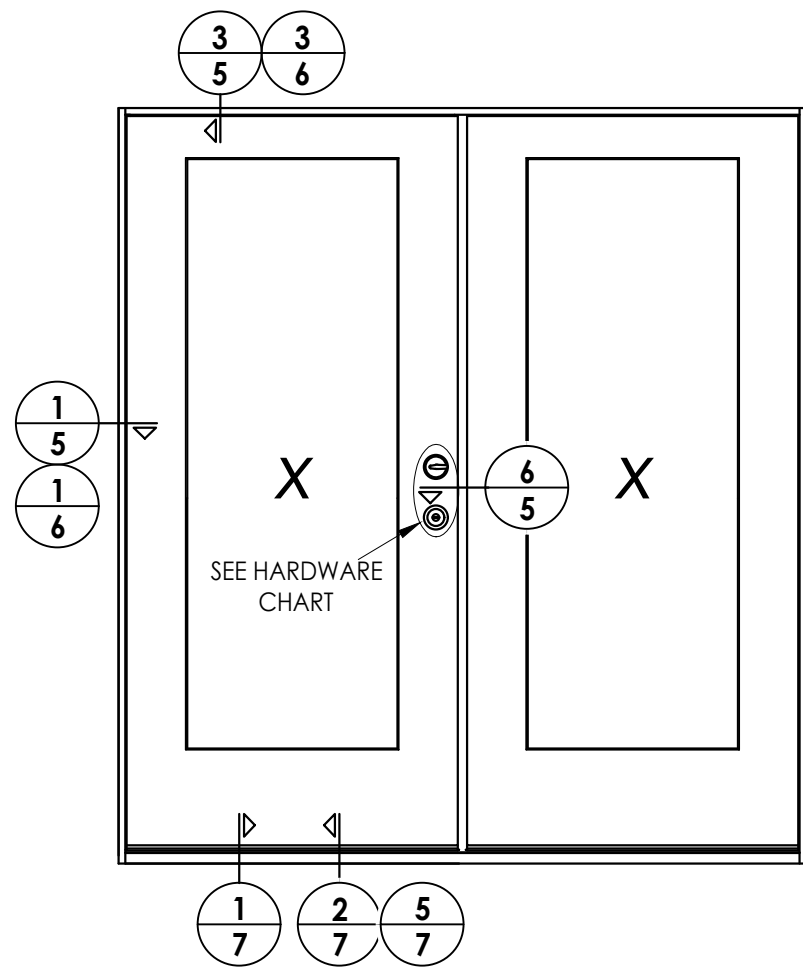
SCALE: N.T.S.

DWG. BY: RW

CHK. BY: LFS

DRAWING NO.: FL-37182.3

SHEET 2 OF 12



Fiber-Classic/Smooth-Star Door Panel Options

Products approved include all embossed and recessed panel doors.
 Similar opaque panel configurations are allowed.
 Panels shown are for illustration and are representative only.

HARDWARE TABLE	
MANUFACTURER	MODEL
SCHLAGE	KNOB: F51 DEADBOLT: B60
KWIKSET	KNOB: SIGNATURE SERIES DEADBOLT: SIGNATURE SERIES (980)

Documents Prepared By:
 Lyndon F. Schmidt
 P.E. No. 43409

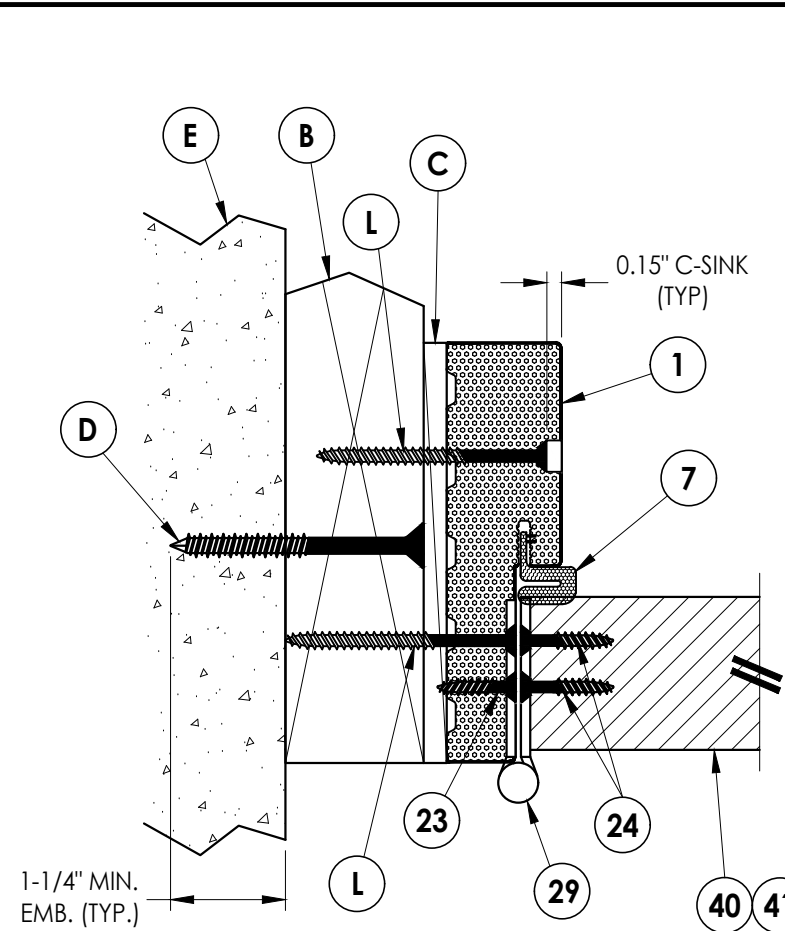
PRODUCT:
 THERMA-TRU
 FIBERGLASS DOOR

PART OR ASSEMBLY:
 ELEVATIONS

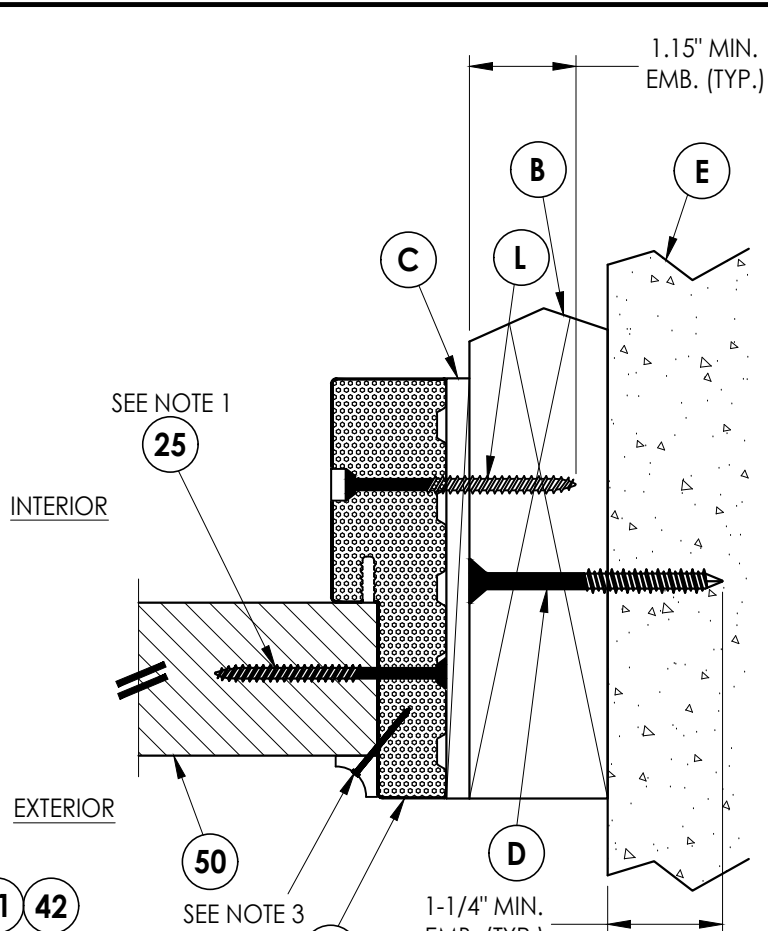
RW BUILDING CONSULTANTS, INC.
 P.O. Box 230, Valrico, FL 33595
 Phone No.: 813.659.9197
 FBPE Registry No. 9813

NO.	DATE	REVISIONS
1	7/27/23	UPDATE TO 8TH ED. (2023) FBC LFS BY

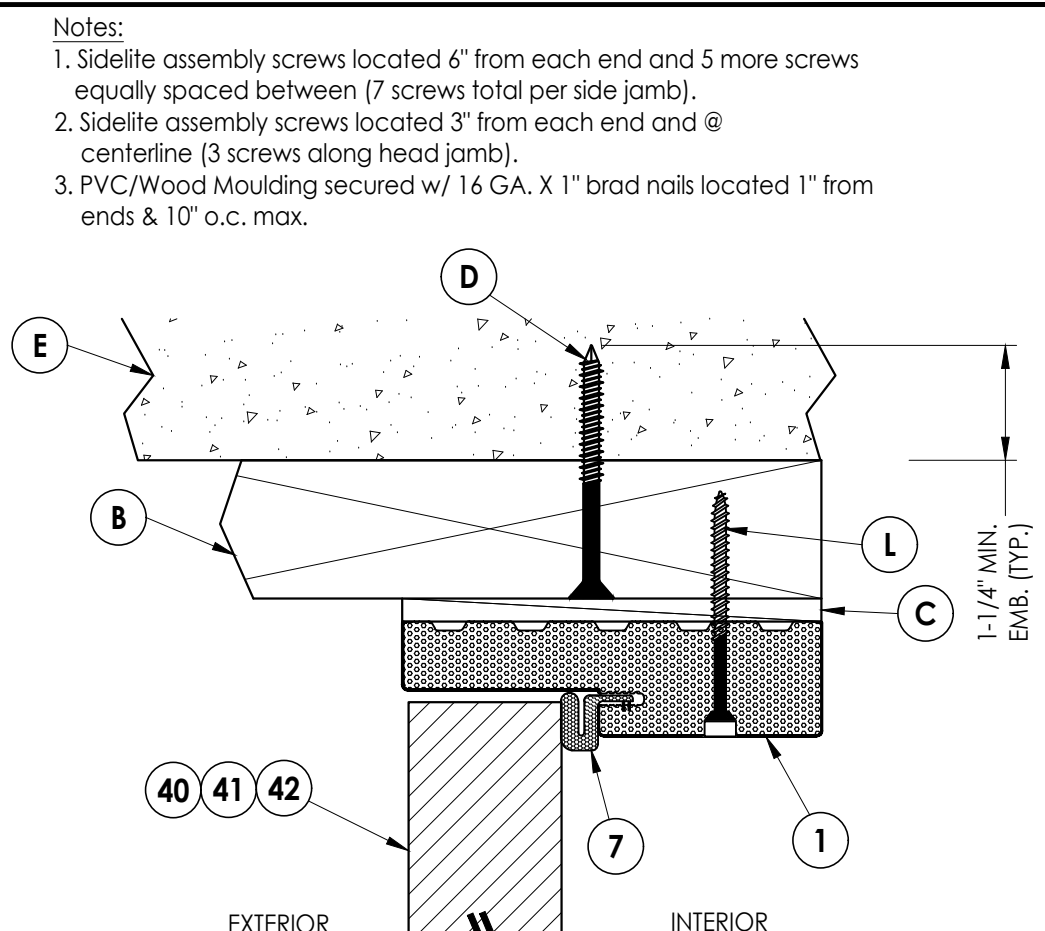
DATE: 5/18/21
 SCALE: N.T.S.
 DWG. BY: RW
 CHK. BY: LFS
 DRAWING NO.: FL-37182.3
 SHEET 4 OF 12



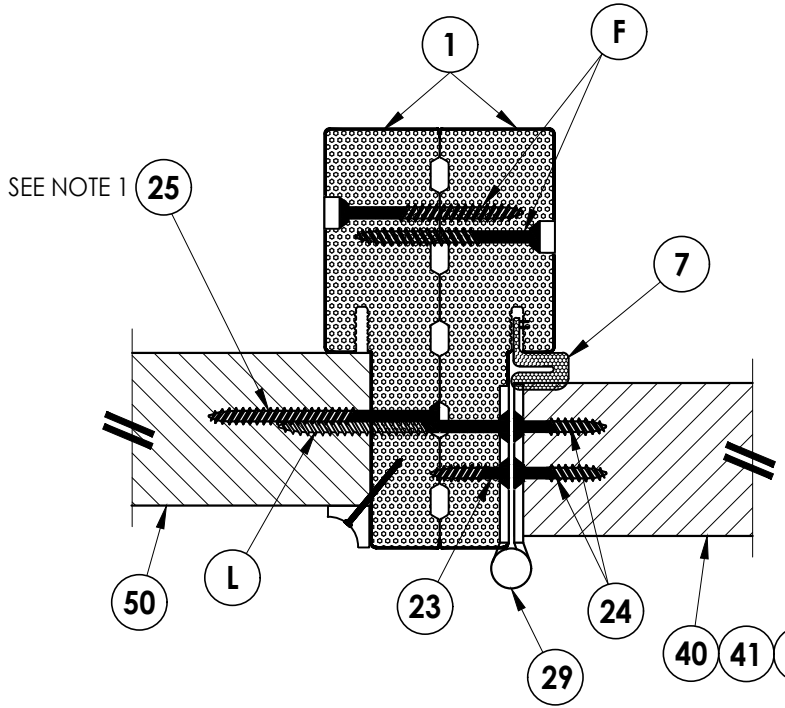
1 HORIZONTAL CROSS SECTION
5 Shown w/ 2X Buck
 Outswing shown (Inswing similar)



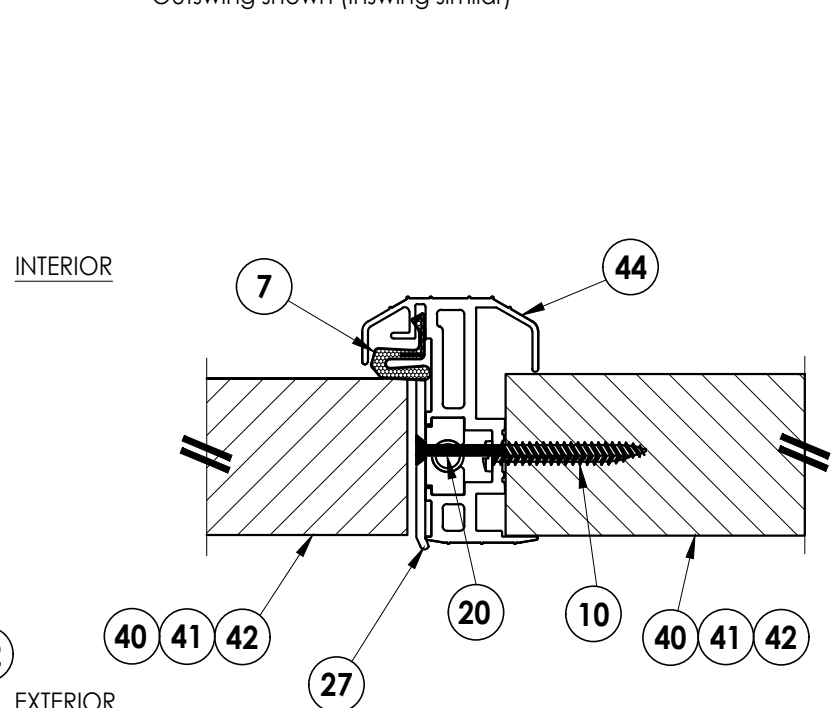
2 HORIZONTAL CROSS SECTION
5 Shown w/ 2X Buck
 Outswing shown (Inswing similar)



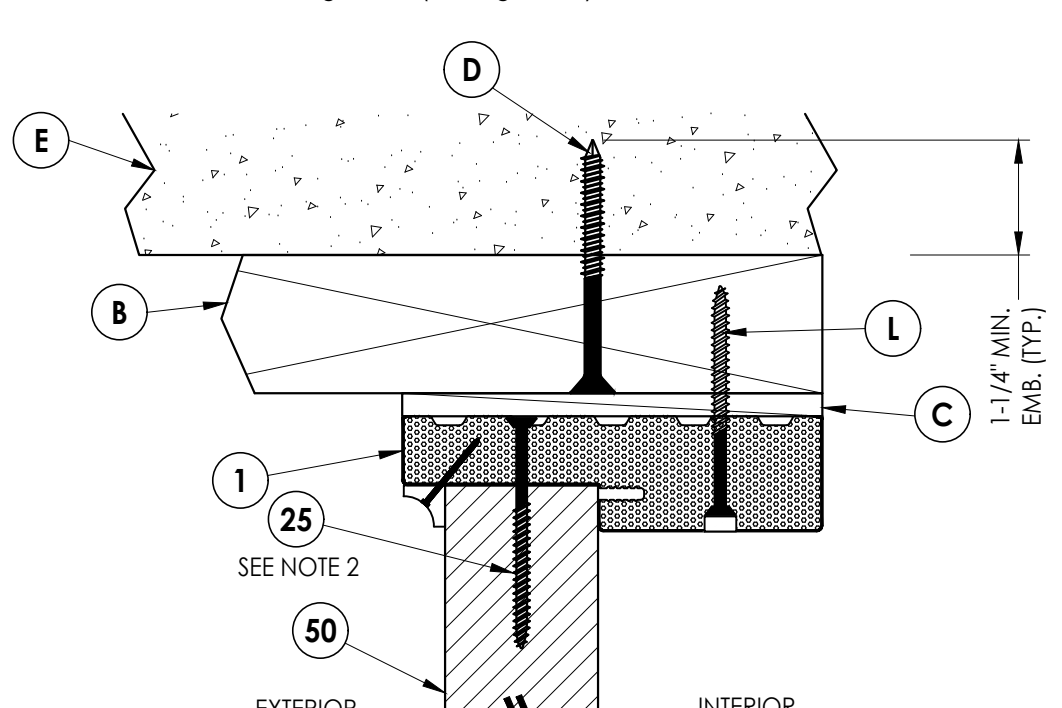
3 VERTICAL CROSS SECTION
5 Shown w/ 2X Buck
 Outswing shown (Inswing similar)



5 HORIZONTAL CROSS SECTION
5 Outswing shown (Inswing similar)



6 HORIZONTAL CROSS SECTION
5 Outswing shown (Inswing similar)



4 VERTICAL CROSS SECTION
5 Shown w/ 2X Buck
 Outswing shown (Inswing similar)

- Notes:
- Sidelite assembly screws located 6" from each end and 5 more screws equally spaced between (7 screws total per side jamb).
 - Sidelite assembly screws located 3" from each end and @ centerline (3 screws along head jamb).
 - PVC/Wood Moulding secured w/ 16 GA. X 1" brad nails located 1" from ends & 10" o.c. max.

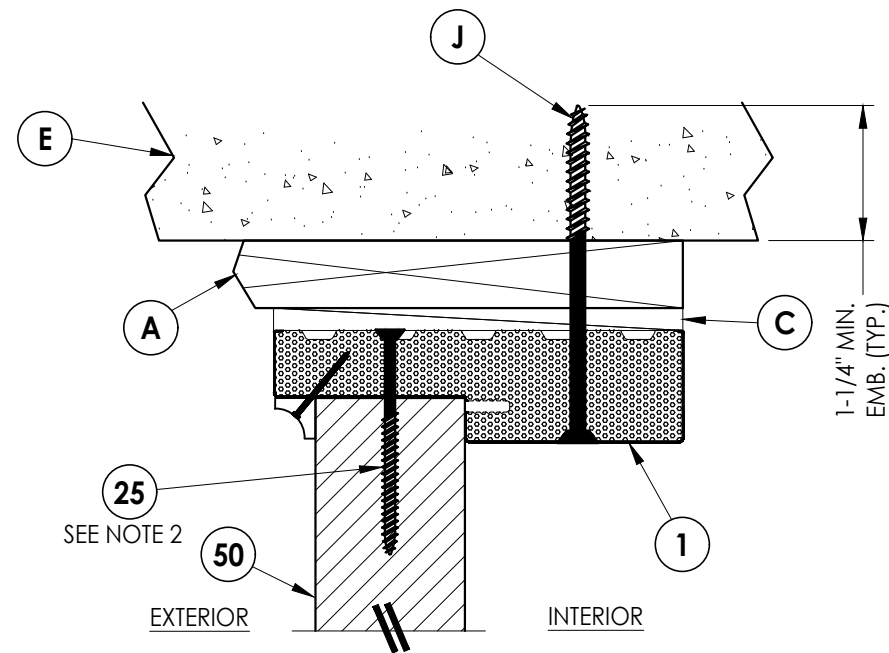
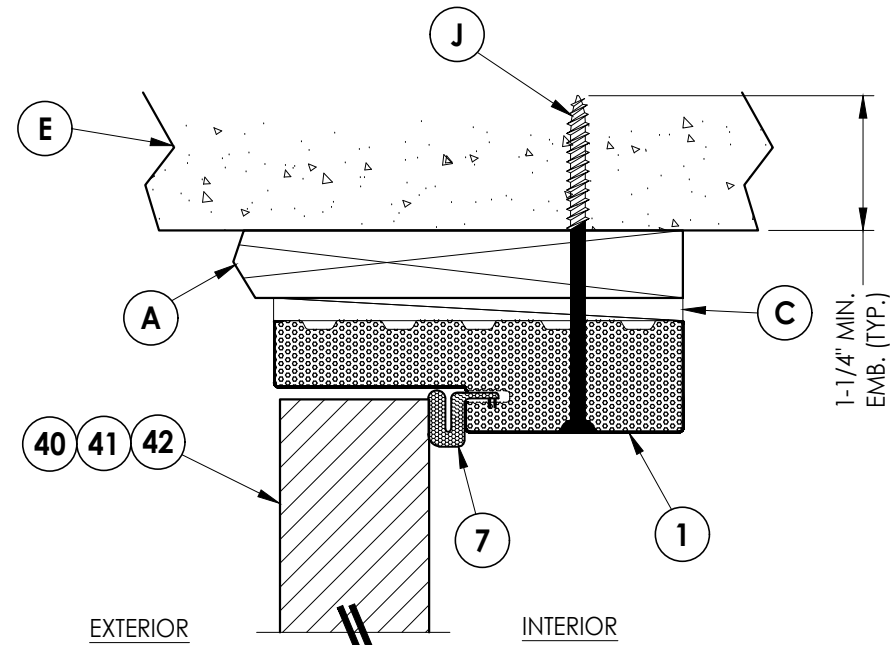
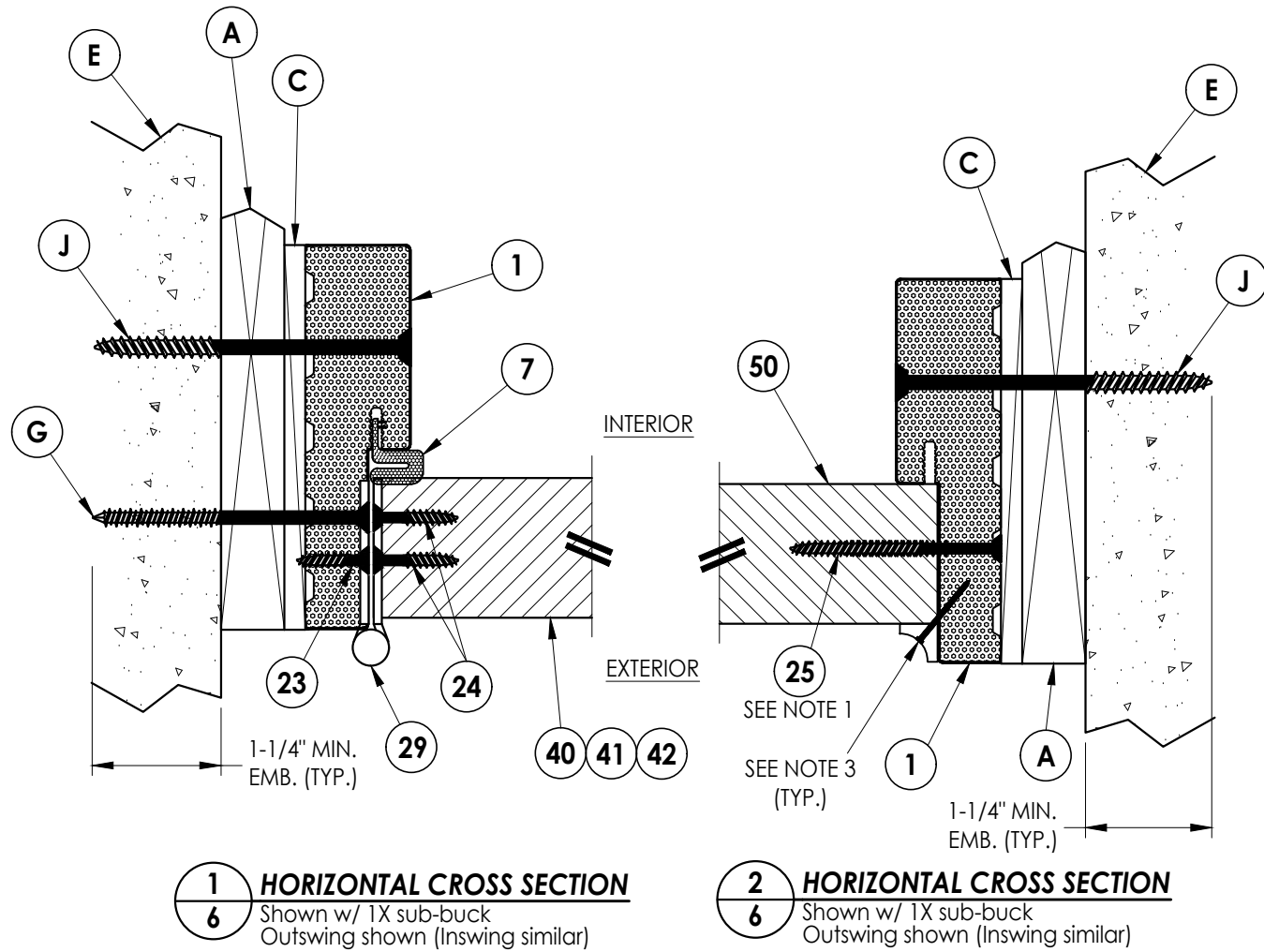
Z:\2023 FBC Drawings\Therma-Tru\FL-37182 R1\FL-37182.1-3.dwg

Documents Prepared By: Lyndon F. Schmidt P.E. No. 43409		BUILDING CONSULTANTS, INC. P.O. Box 230, Valrico, FL 33595 Phone No.: 813.659.9197 FBPE Registry No. 9813	
PRODUCT:	THERMA-TRU FIBERGLASS DOOR	PART OR ASSEMBLY:	HORIZONTAL & VERTICAL CROSS SECTIONS (2X BUCK)
DATE:	5/18/21	NO. DATE	REVISIONS
SCALE:	N.T.S.	1 7/27/23	UPDATE TO 8TH ED. (2023) FBC
DWG. BY:	RW		
CHK. BY:	LFS		
DRAWING NO.:	FL-37182.3		
SHEET	5	OF	12

© 2021 R.W. BUILDING CONSULTANTS INC.

Notes:

1. Sidelite assembly screws located 6" from each end and 5 more screws equally spaced between (7 screws total per side jamb).
2. Sidelite assembly screws located 3" from each end and @ centerline (3 screws along head jamb).
3. PVC/Wood Moulding secured w/ 16 GA. X 1" brad nails located 1" from ends & 10" o.c. max.



Documents Prepared By:
Lyndon F. Schmidt
P.E. No. 43409

RW BUILDING CONSULTANTS, INC.
P.O. Box 230, Valrico, FL 33595
Phone No.: 813.659.9197
FBPE Registry No. 9813

PRODUCT:
THERMA-TRU
FIBERGLASS DOOR

PART OR ASSEMBLY:
HORIZONTAL & VERTICAL
CROSS SECTIONS (1X BUCK)

NO.	DATE	REVISIONS	LFS	BY
1	7/27/23	UPDATE TO 8TH ED. (2023)	FBC	

DATE: 5/18/21

SCALE: N.T.S.

DWG. BY: RW

CHK. BY: LFS

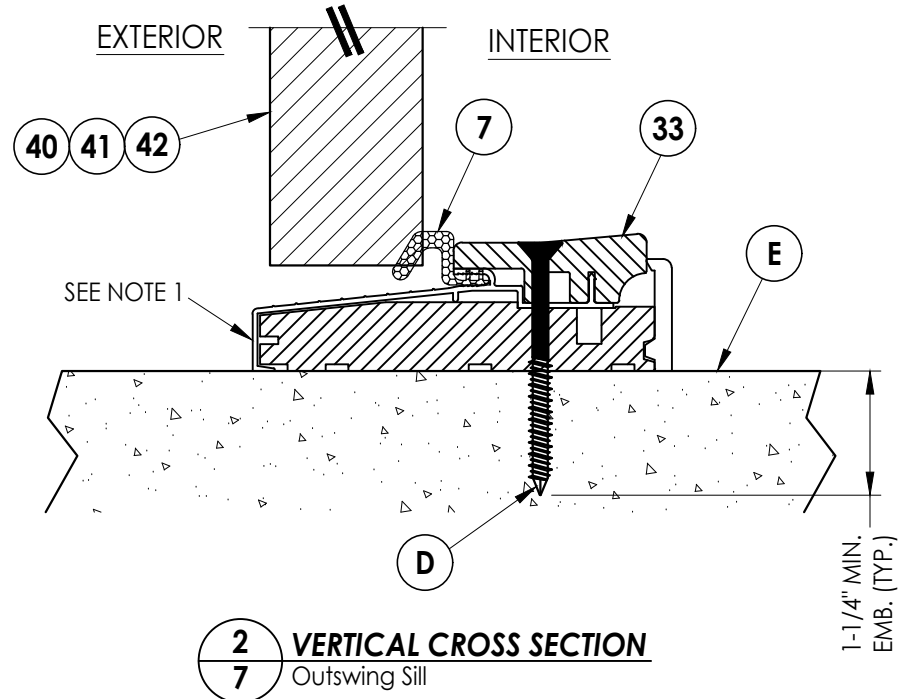
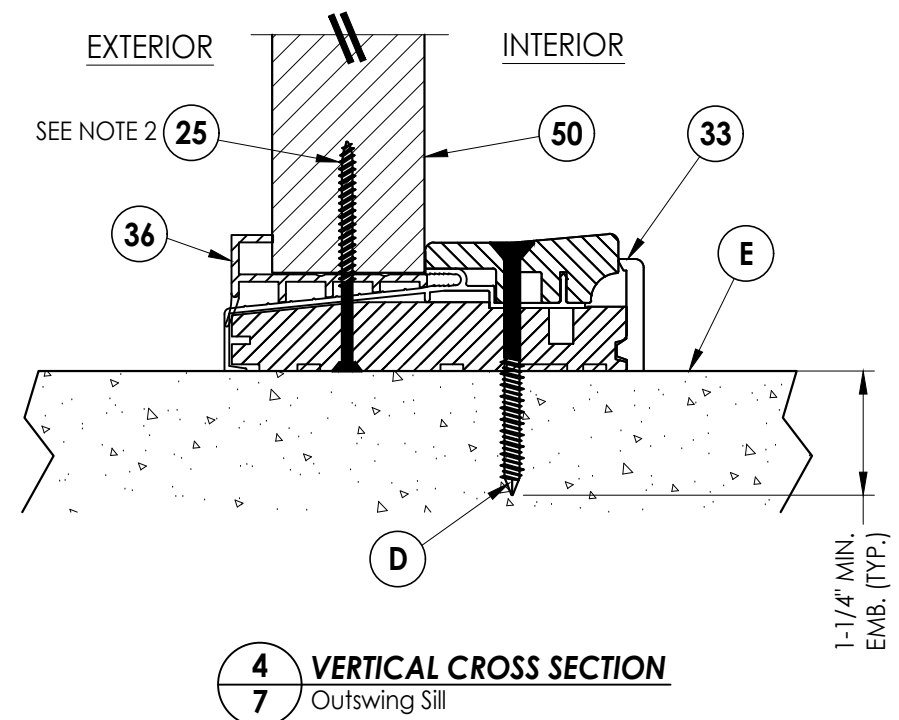
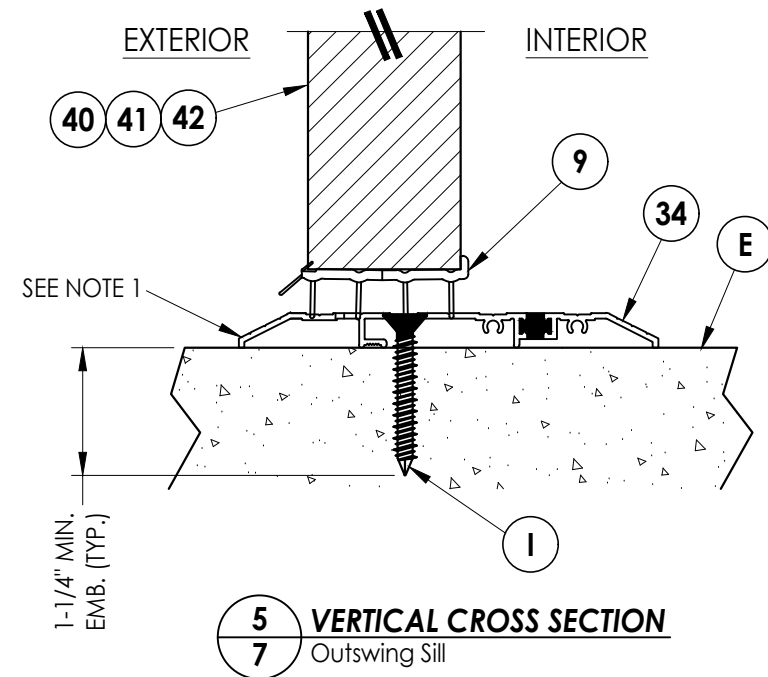
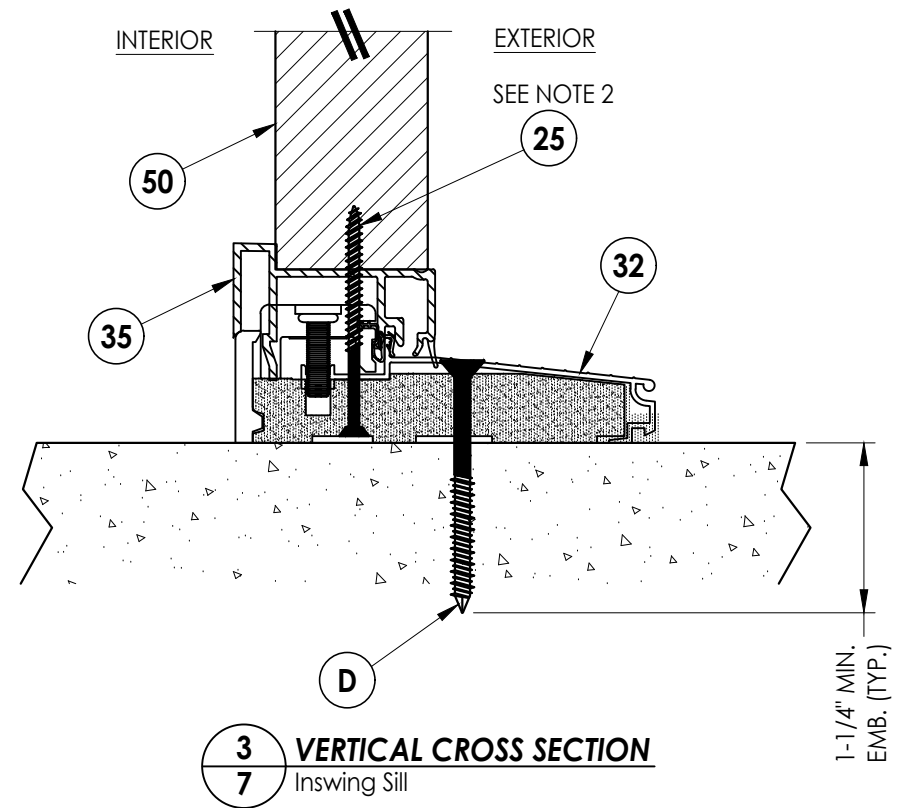
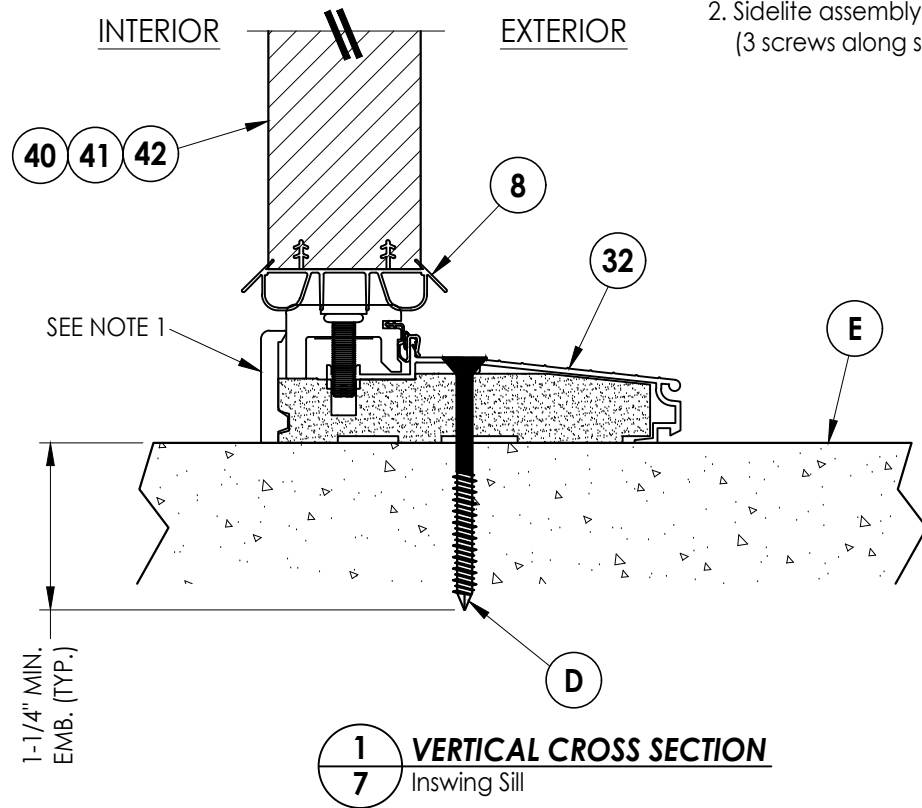
DRAWING NO.:

FL-37182.3

SHEET 6 OF 12

Notes:

- Sill Item #32 is attached to jambs w/ (3) #8 X 2-1/2" pfh screws at each end.
Sill Item #33 is attached to jambs w/ (2) #8 X 2-1/2" pfh screws at each end.
Sill Item #34 is attached to jambs utilizing (2) #10 X 2" pph SMS at each end.
- Sidelite assembly screws located 3" from each end and @ centerline (3 screws along sill).



Documents Prepared By:
Lyndon F. Schmidt
P.E. No. 43409

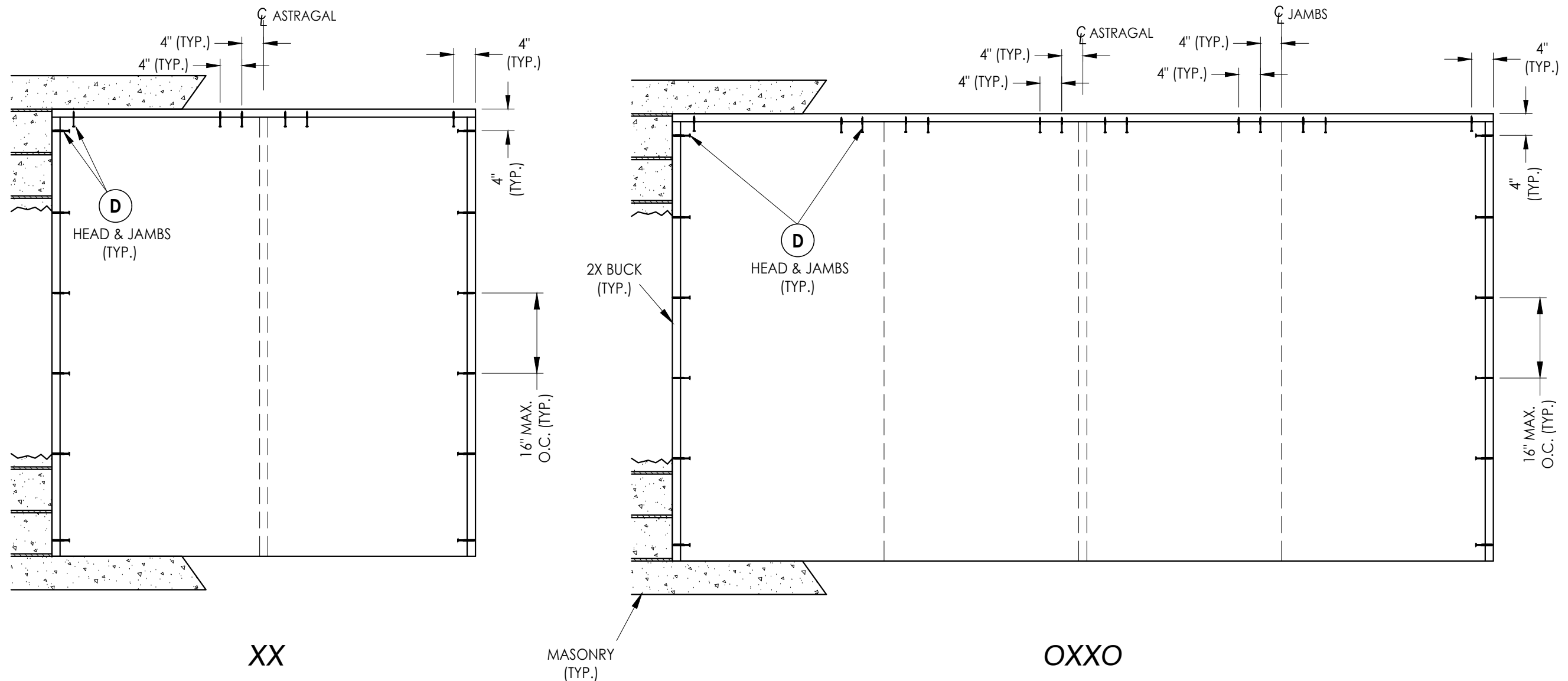
RW BUILDING CONSULTANTS, INC.
P.O. Box 230, Valrico, FL 33595
Phone No.: 813.659.9197
FBPE Registry No. 9813

PRODUCT:	THERMA-TRU FIBERGLASS DOOR
PART OR ASSEMBLY:	VERTICAL CROSS SECTIONS (THRESHOLDS)

NO.	DATE	BY
1	7/27/23	LFS
	UPDATE TO 8TH ED. (2023)	FBC

DATE:	5/18/21
SCALE:	N.T.S.
DWG. BY:	RW
CHK. BY:	LFS
DRAWING NO.:	FL-37182.3
SHEET	7 OF 12

Z:\2023 FBC Drawings\Therma-Tru\FL-37182 R1\FL-37182.1-3.dwg



2X BUCK ANCHORING

Documents Prepared By:
 Lyndon F. Schmidt
 P.E. No. 43409

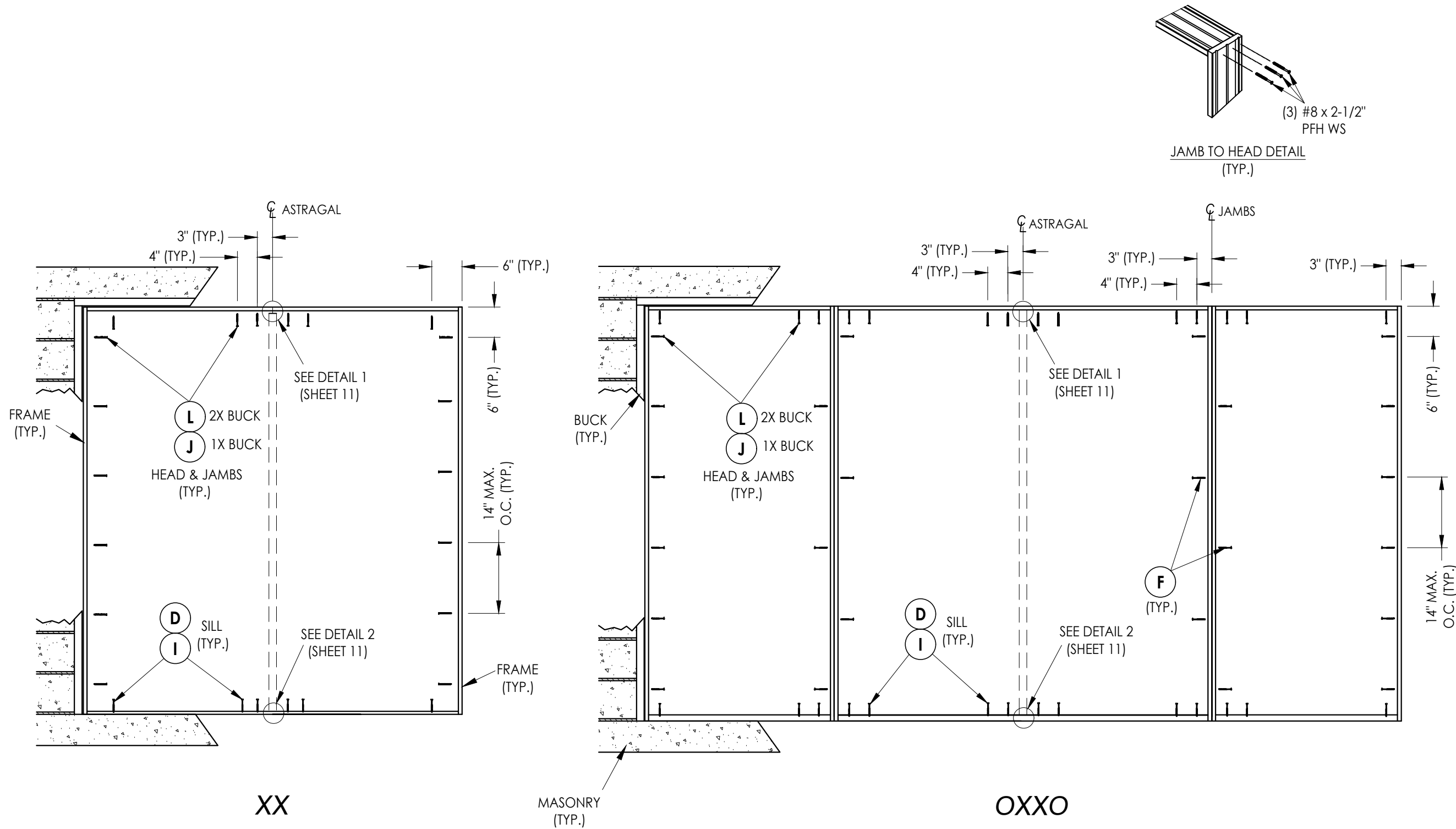
RW BUILDING CONSULTANTS, INC.
 P.O. Box 230, Vairico, FL 33595
 Phone No.: 813.659.9197
 FBPE Registry No. 9813

PRODUCT:
 THERMA-TRU
 FIBERGLASS DOOR

PART OR ASSEMBLY:
 BUCK ANCHORING

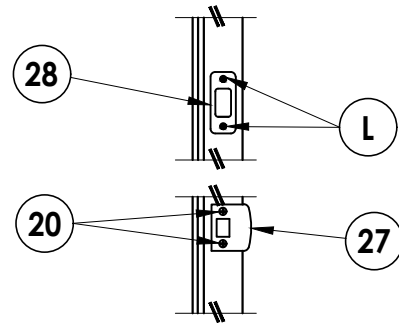
NO	DATE	DESCRIPTION	BY
1	7/27/23	UPDATE TO 8TH ED. (2023) FBC	LFS

DATE: 5/18/21
 SCALE: N.T.S.
 DWG. BY: RW
 CHK. BY: LFS
 DRAWING NO.: FL-37182.3
 SHEET 8 OF 12

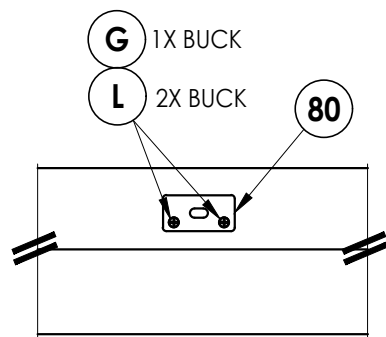


FRAME ANCHORING

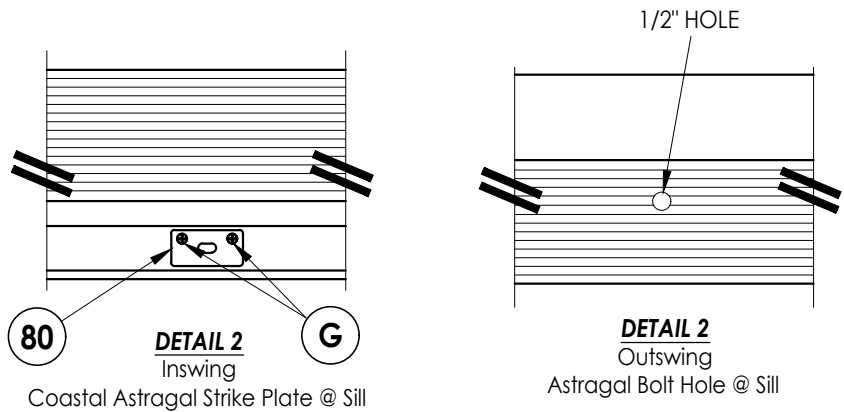
Documents Prepared By: Lyndon F. Schmidt P.E. No. 43409		BUILDING CONSULTANTS, INC. P.O. Box 230, Valrico, FL 33595 Phone No.: 813.659.9197 FBPE Registry No. 9813	
PRODUCT: THERMA-TRU FIBERGLASS DOOR		PART OR ASSEMBLY: FRAME ANCHORING	
NO. DATE		LFS BY	
1 7/27/23 UPDATE TO 8TH ED. (2023) FBC		LFS BY	
REVISIONS			
DATE: 5/18/21			
SCALE: N.T.S.			
DWG. BY: RW			
CHK. BY: LFS			
DRAWING NO.: FL-37182.3			
SHEET 9 OF 12			



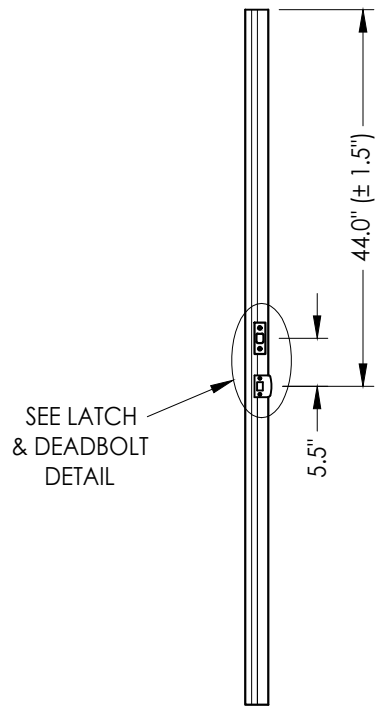
LATCH & DEADBOLT DETAIL
Schlage / Kwikset



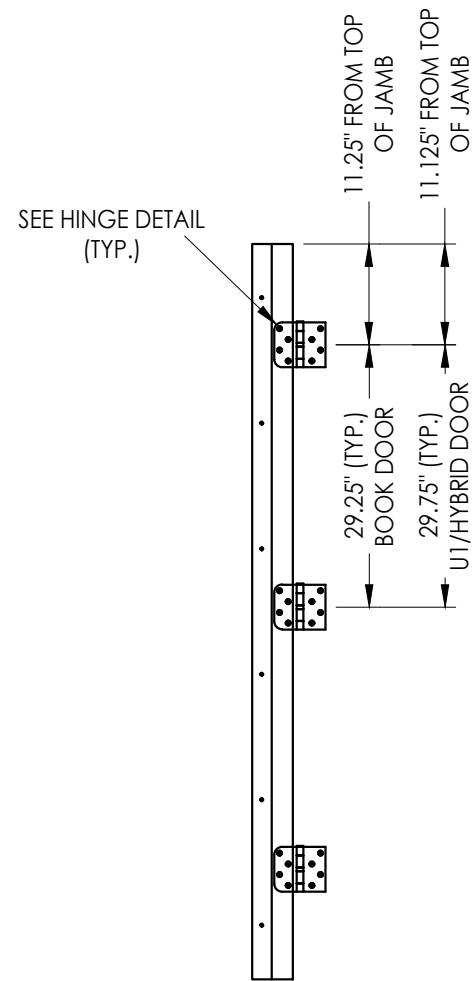
DETAIL 1
Coastal Astragal Strike Plate @ Head



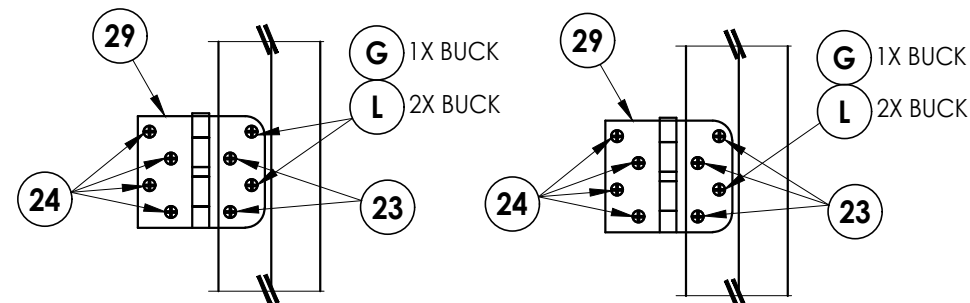
LATCH & DEADBOLT STRIKE DETAILS



ASTRAGAL
Latch and Deadbolt



HINGE JAMB



HINGE DETAIL
Inswing

HINGE DETAIL
Outswing

Documents Prepared By:
Lyndon F. Schmidt
P.E. No. 43409

RW BUILDING CONSULTANTS, INC.
P.O. Box 230, Vairico, FL 33595
Phone No.: 813.659.9197
FBPE Registry No. 9813

PRODUCT:
THERMA-TRU
FIBERGLASS DOOR

PART OR ASSEMBLY:
HARDWARE DETAILS

NO.	DATE	REVISIONS
1	7/27/23	UPDATE TO 8TH ED. (2023) FBC
		LFS
		BY

DATE: 5/18/21

SCALE: N.T.S.

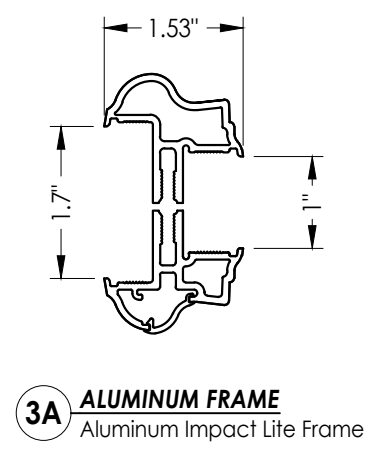
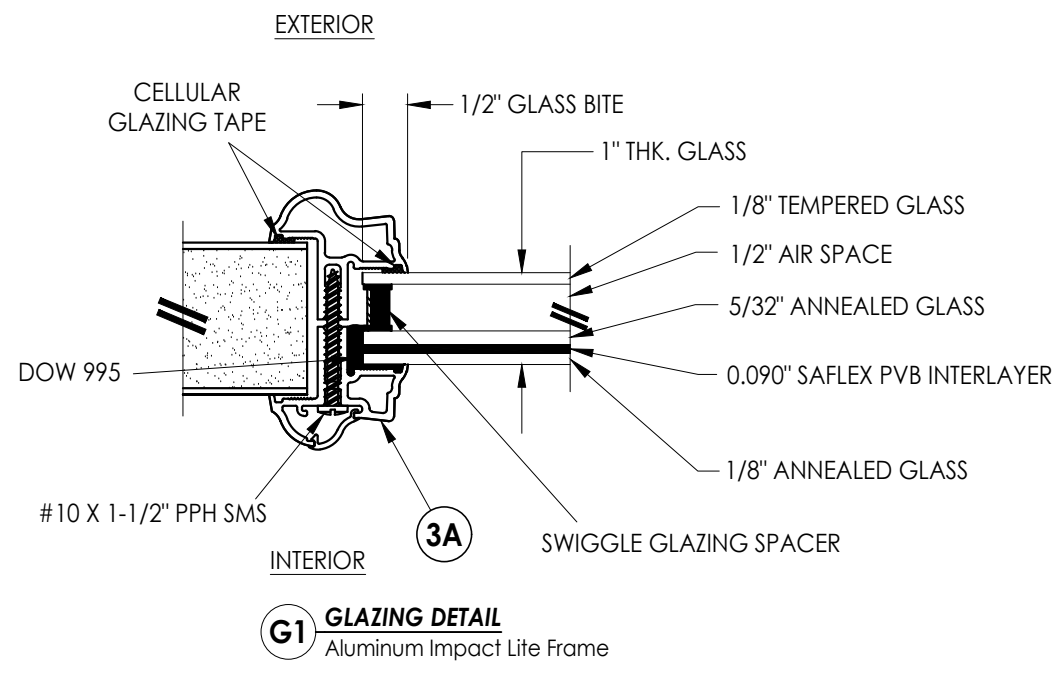
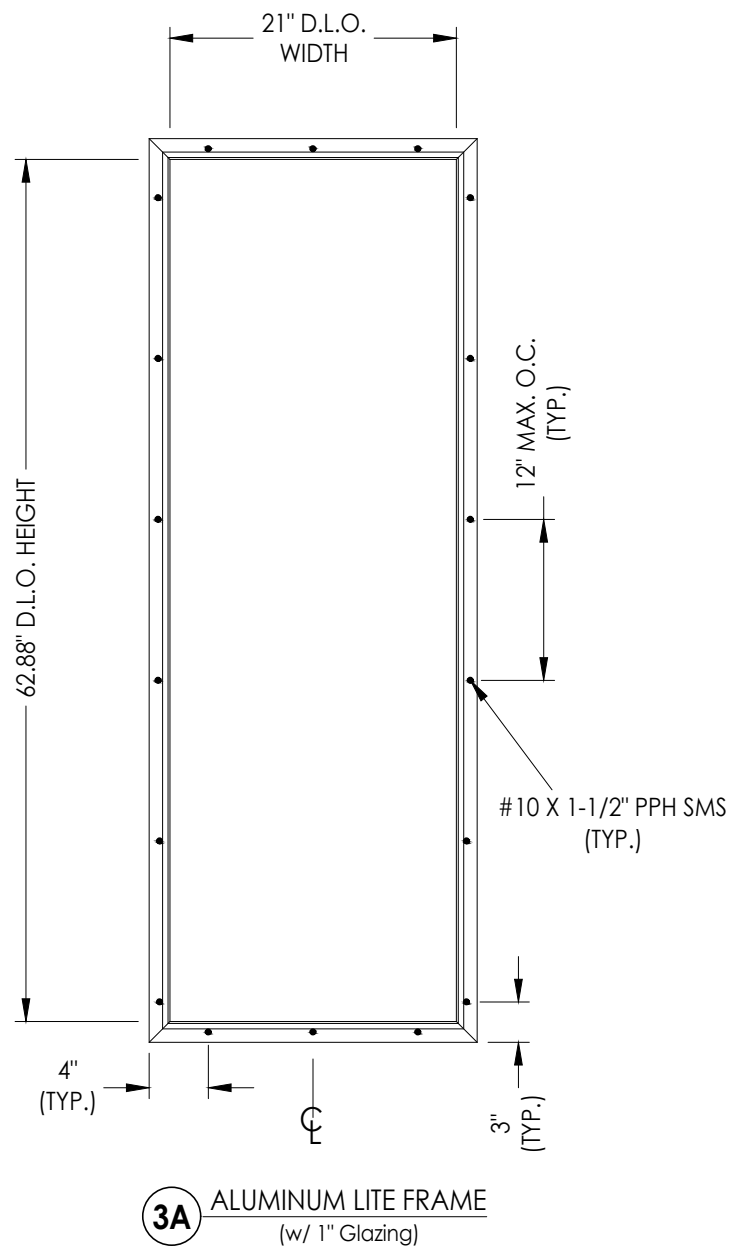
DWG. BY: RW

CHK. BY: LFS

DRAWING NO.:

FL-37182.3

SHEET 10 OF 12



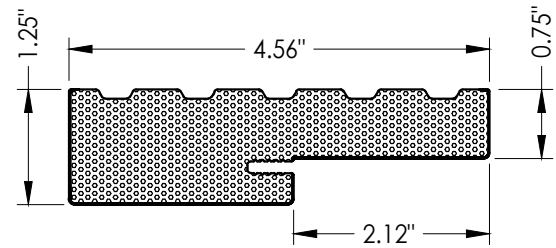
REVISIONS	
NO.	DATE
1	7/27/23
	UPDATE TO 8TH ED. (2023)
	FBC LFS BY

DATE: 5/18/21
 SCALE: N.T.S.
 DWG. BY: RW
 CHK. BY: LFS
 DRAWING NO.: FL-37182.3
 SHEET 11 OF 12

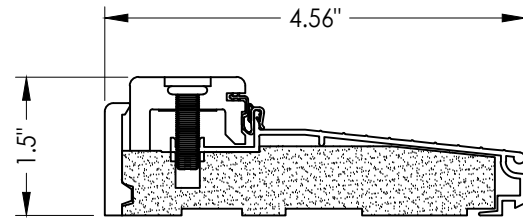
PRODUCT: THERMA-TRU FIBERGLASS DOOR
 PART OR ASSEMBLY: LITE FRAME & GLAZING DETAILS

Documents Prepared By:
 Lyndon F. Schmidt
 P.E. No. 43409
 R.W. BUILDING CONSULTANTS, INC.
 P.O. Box 230, Valrico, FL 33595
 Phone No.: 813.659.9197
 FBPE Registry No. 9813

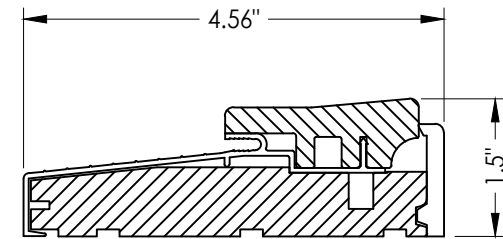
BILL OF MATERIALS		
ITEM #	DESCRIPTION	MATERIAL
A	1X BUCK (G >= 0.42)	WOOD
B	2X BUCK (G >= 0.42)	WOOD
C	1/4" MAX. SHIM SPACE	-
D	1/4" X 2-3/4" PFH DeWALT OR ITW CONCRETE SCREW	STEEL
E	MASONRY - 3,000 PSI MIN. CONCRETE CONFORMING TO ACI 301 OR HOLLOW BLOCK CONFORMING TO ASTM C90	CONCRETE
F	#10 X 2" PFH WOOD SCREW	STEEL
G	3/16" X 3-1/4" PFH ITW CONCRETE SCREW	STEEL
I	1/4" X 2-1/4" PFH DeWALT OR ITW CONCRETE SCREW	STEEL
J	1/4" X 3-3/4" PFH DeWALT OR ITW CONCRETE SCREW	STEEL
L	#10 X 2-1/2" PFH WOOD SCREW (1.15" MIN. EMBEDMENT)	STEEL
1	COMPOSITE JAMB	COMP
7	WEATHERSTRIP	FOAM
8	DOOR SWEEP	VINYL
9	SWEEP (USE w/ PUBLIC ACCESS THRESHOLD)	VINYL
10	#10 X 1-1/2" PPH SMS	STEEL
20	#8 X 2-1/2" PFH WOOD SCREW	STEEL
21	#12 X 1-1/2" PFH WOOD SCREW	STEEL
22	#8 X 3/4" PFH WOOD SCREW	STEEL
23	#9 X 3/4" PFH WOOD SCREW	STEEL
24	#9 X 1" PFH WOOD SCREW	STEEL
25	#9 X 2-1/2" PFH WOOD SCREW	STEEL
26	#8 X 5/8" PFH WOOD SCREW	STEEL
27	LATCH STRIKE PLATE	STEEL
28	DEADBOLT STRIKE PLATE	STEEL
28A	DEADBOLT SUB-STRIKE PLATE	STEEL
29	4" X 4" HINGE	STEEL
32	INSWING THRESHOLD	ALUM/COMP
33	OUTSWING THRESHOLD	ALUM/COMP
34	PUBLIC ACCESS THRESHOLD	ALUM
35	SIDELITE SPACER (INSWING)	VINYL
36	SIDELITE SPACER (OUTSWING)	VINYL
40	DOOR PANEL (BOOK)	-
41	DOOR PANEL (HYBRID)	-
42	DOOR PANEL (U1)	-
44	COASTAL ASTRAGAL (THERMA-TRU)	ALUM
50	SIDELITE PANEL	-
78	MULTIPOINT LOCK STRIKE PLATE @ HEAD	STEEL
79	MULTIPOINT LOCK STRIKE PLATE @ SILL	STEEL
80	COASTAL ASTRAGAL STRIKE PLATE	STEEL



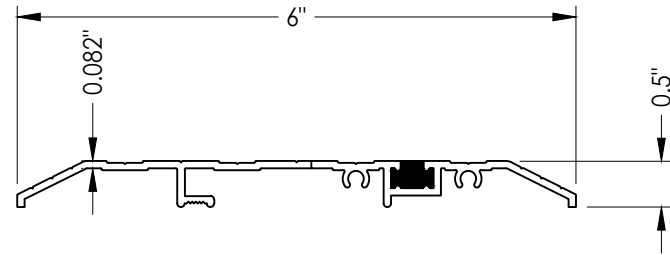
1 COMPOSITE JAMB



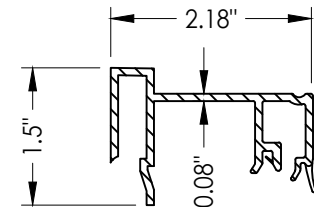
32 INSWING THRESHOLD
Adjustable Composite Sill



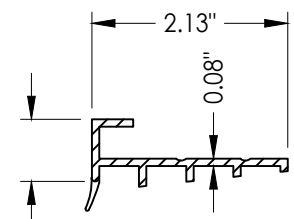
33 OUTSWING THRESHOLD
Composite Sill



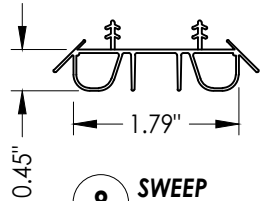
34 PUBLIC ACCESS THRESHOLD



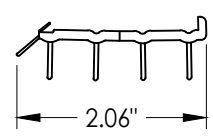
35 SIDELITE SPACER
Inswing



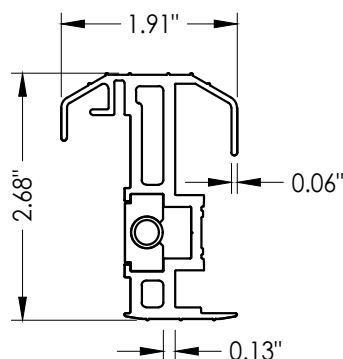
36 SIDELITE SPACER
Outswing



8 SWEEP



9 SWEEP



44 COASTAL ASTRAGAL

CONCRETE ANCHOR NOTES:

- Concrete anchor locations at the corners may be adjusted to maintain the min. edge distance to mortar joints.
- Concrete anchor locations noted as "MAX. ON CENTER" must be adjusted to maintain the min. edge distance to mortar joints, additional concrete anchors may be required to ensure the "MAX. ON CENTER" dimension are not exceeded.
- Concrete anchor table:

ANCHOR TYPE	ANCHOR SIZE	MIN. EMBEDMENT	MIN. CLEARANCE TO MASONRY EDGE	MIN. CLEARANCE TO ADJACENT ANCHOR
ITW TAPCON®	1/4"	1-1/4"	2"	4"
DeWALT ULTRACON®	1/4"	1-1/4"	1"	4"
ITW TAPCON®	3/16"	1-1/4"	AS SHOWN	1-1/2"

WOOD SCREW INSTALLATION NOTES:

- Maintain a minimum 5/8" edge distance, 1" end distance, & 1" o.c. spacing of wood screws to prevent the splitting of wood.

Documents Prepared By:
Lyndon F. Schmidt
P.E. No. 43409

R.W. BUILDING CONSULTANTS, INC.
P.O. Box 230, Vairico, FL 33595
Phone No.: 813.659.9197
FBPE Registry No. 9813

PRODUCT:
THERMA-TRU
FIBERGLASS DOOR

PART OR ASSEMBLY:
BILL OF MATERIALS
& COMPONENTS

NO.	DATE	DESCRIPTION	LFS	BY
1	7/27/23	UPDATE TO 8TH ED. (2023)	FBC	

DATE: 5/18/21
SCALE: N.T.S.
DWG. BY: RW
CHK. BY: LFS
DRAWING NO.: FL-37182.3
SHEET 12 OF 12